

Xtreme
in innovation

primus

laundry equipment

HIGH EFFICIENT SOFT MOUNTED WASHER EXTRACTORS

FX180 FX240



FEATURES

- Freestanding, high spin
- Stainless steel top panel & Anthracite grey front and side panels
- Xcontrol - easy to use microprocessor
- Patented Soap Hopper
- Large drain valve (Ø 76 mm)
- Easy access to all vital parts from the front
- Large door opening for easy loading & unloading

OPTIONS

- Xcontrol Plus - Fully programmable
- Coin operated timer (CPS)
- USB plug (on the back panel)
- Stainless steel front panel
- Easy Soap - liquid soaps connection
- Liquid soap pumps
- Water recovery kit
- Steam heating version



ERGONOMICAL
CONSTRUCTION



LARGE DOOR
OPENING



LOW WATER AND ENERGY
CONSUMPTION

**cascade
drum**

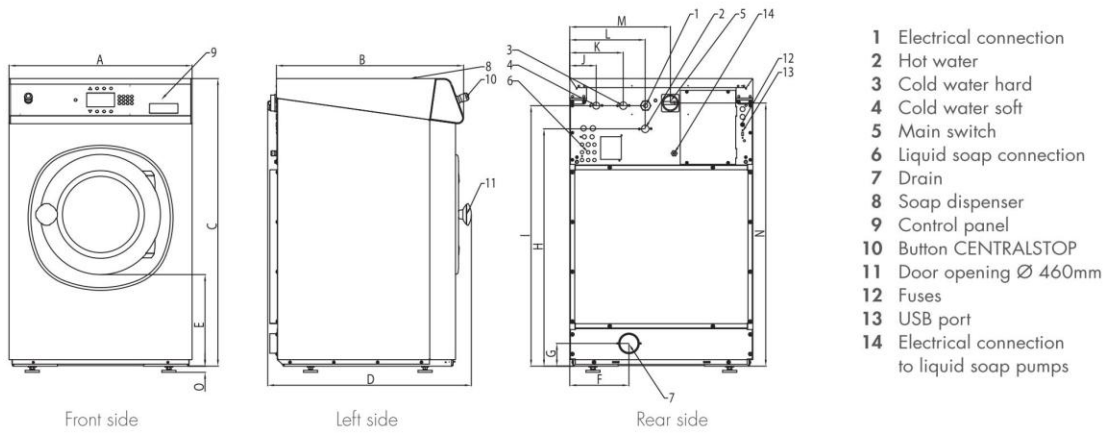


supereco

POWERWASH

TRACE-TECH

TYPE		FX 180	FX 240
INNERDRUM			
capacity	kg	18	24
volume	litres	180	240
diameter	mm	750	750
DRUM SPEED			
wash	rpm	42	42
extraction	rpm	980	980
G-FACTOR		400	400
HEATING			
electricity (standard)	kW	12/18	18
steam	bar	1-8	1-8
hot water	°C	90	90
WEIGHT, NET			
	kg	385	435
Sound pressure level	dB (A)	<65	<65
Water valves connection	BSP	3/4"	3/4"
Water pressure	kPa	100-800	100-800
Rec. water pressure	kPa	300-500	300-500
Water inlet	l/min	20	20
Drain valve	outer Ø mm	76	76
Flow amount with drain valve	l/min	210	210
Steam valve connection	BSP	1/2"	1/2"
Steam pressure	kPa	100-800	100-800
WEIGHT, GROSS			
	kg	435	495



DIMENSIONS

	A	B	C	D	E	F	G	H	I	J	K	L	M	N	O
FX180	970	906	1410	970	477	270	108,5	1215	1305	102,5	207,5	292,5	610	1315	24
FX240	970	1041	1410	1105	477	270	108,5	1215	1305	102,5	207,5	292,5	610	1315	24
	width	depth	height												



WATCH THE FX VIDEO
www.bit.ly/videofx



06 - 2012 / 548302

The company Primus preserves the right to change the machines and the specification in this leaflet at any time, without prior notice. Details and photographs are only for information and never binding.

